

GENERAL WARNINGS:

If you experience any difficulties with this product, please reach out to our helpdesk at customerservice@h2ofurnishings.com. Please do not return to place of purchase as Home 2 Office brands will replace defective part(s)

- 1.) Not for commercial use.
- 2.) Indoor use only.
- 3.) This is not a toy. Do not allow children or pets to play on or around.
- 4.) Use only on a flat stable surface.
- 5.) No part of this unit should be used as a step stool or ladder.
- 6.) If any part of the unit is damaged, missing or loose, immediately remove it from service.
- 7.) Weight limit: 250 lbs per stool.
- 8.) Spills should be wiped up immediately.
- 9.) All 4 legs should remain on the floor at all times.
- 10.) Do not let any sharp objects touch or rub the surface of the product.
- 11.) When assembling, do not let children play around the working area.
- 12.) Please confirm all parts are correct before starting the assembly process.
- 13.) Do not tighten bolts and screws completely until the entire unit has been assembled and set up.
- 14.) **DO NOT USE POWER TOOLS.** power tools can overtighten screws and strip threads.
- 15.) For each screw:
 - Tighten each screw until you meet resistance.
 - Tighten one additional full rotation.
 - Use of power tools with void any manufacturer warranty. **DO NOT OVERTIGHTEN.**

This product was inspected before packaging and we recommend that you inspect all the parts before assembly. Please follow the instructions carefully and ensure all fittings are properly tightened. Follow assemble instructions carefully will help to avoid accidents and ensure your product is satisfactory for its purpose.

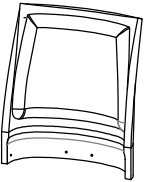

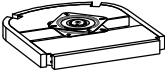
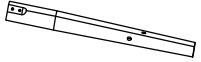
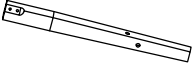
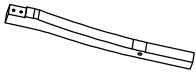
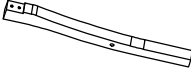
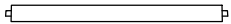



Assembly Instructions

ITEM: W13-00939ALW/ W13-00939ALG







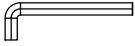

Important note :

- Place all wooden parts on a clean and smooth surface such as a rug or carpet to avoid scratching the parts.
- Kindly follow the assembly instructions step by step.
- Do not tighten all screws and bolts until the chair is fully assembled.

Component

<p>1</p>  <p>Chair Back x 1Pc</p>	<p>2</p>  <p>Cushion Seat x 1Pc</p>	<p>3</p>  <p>Seat Frame x 1Pc</p>	<p>4</p>  <p>Front Leg L x 1Pc</p>
<p>5</p>  <p>Front Leg R x 1Pc</p>	<p>6</p>  <p>Back Leg L x 1Pc</p>	<p>7</p>  <p>Back Leg R x 1Pc</p>	<p>8</p>  <p>Front Stretcher x 1Pc</p>
<p>9</p>  <p>Side Stretcher L x 1Pc</p>	<p>10</p>  <p>Side Stretcher R x 1Pc</p>	<p>11</p>  <p>Back Stretcher x 1Pc</p>	

Hardware

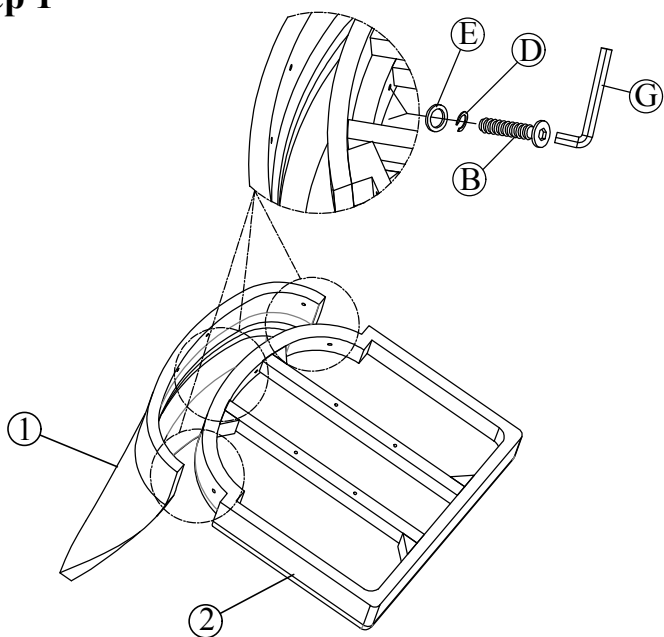
<p>A</p>  <p>Bolt Ø1/4 * 60mm x 4Pcs</p>	<p>B</p>  <p>Bolt Ø1/4 * 40mm x 8Pcs</p>	<p>C</p>  <p>Bolt Ø1/4 * 20mm x 4Pcs</p>	<p>D</p>  <p>Spring Washer Ø1/4" * 10mm x 16Pcs</p>
<p>E</p>  <p>Flat Washer Ø1/4" * 19mm x 16Pcs</p>	<p>F</p>  <p>Screw (Thick Threaded Screw) Ø4 * 40mm x 8Pcs</p>	<p>G</p>  <p>Allen Key M4 x 59mm x 1Pc</p>	<p>H</p>  <p>Allen Key M4 x 110mm x 1Pc</p>

Assembly Instructions

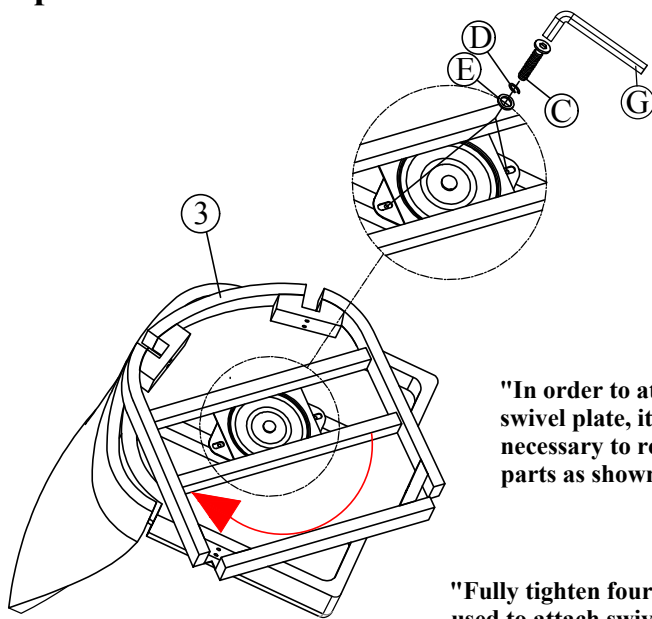
ITEM: W13-00939ALW/ W13-00939ALG

How to assemble

Step 1



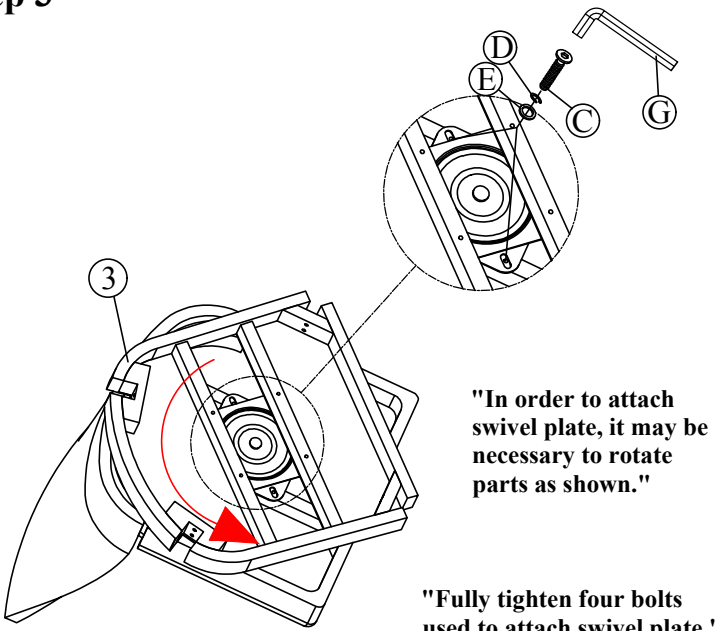
Step 2



"In order to attach swivel plate, it may be necessary to rotate parts as shown."

"Fully tighten four bolts used to attach swivel plate."

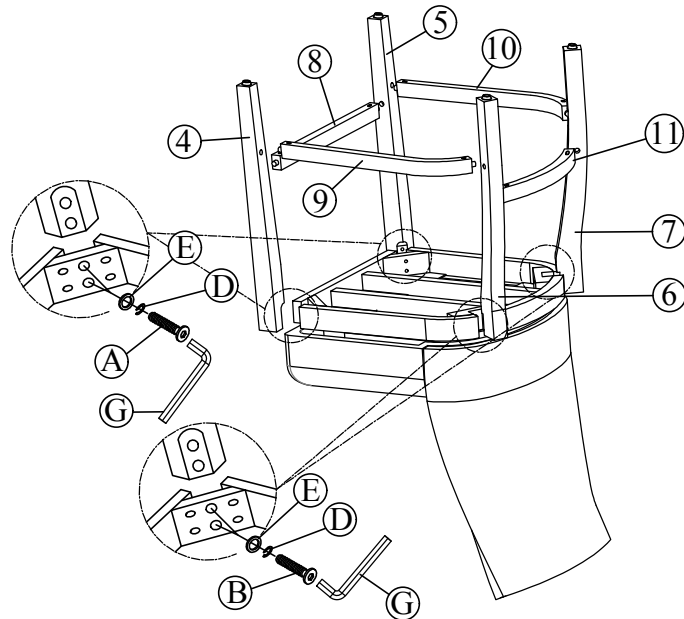
Step 3



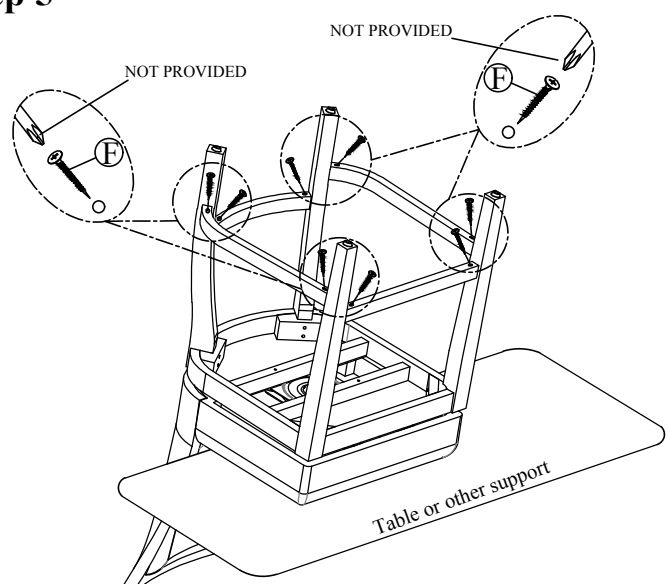
"In order to attach swivel plate, it may be necessary to rotate parts as shown."

"Fully tighten four bolts used to attach swivel plate."

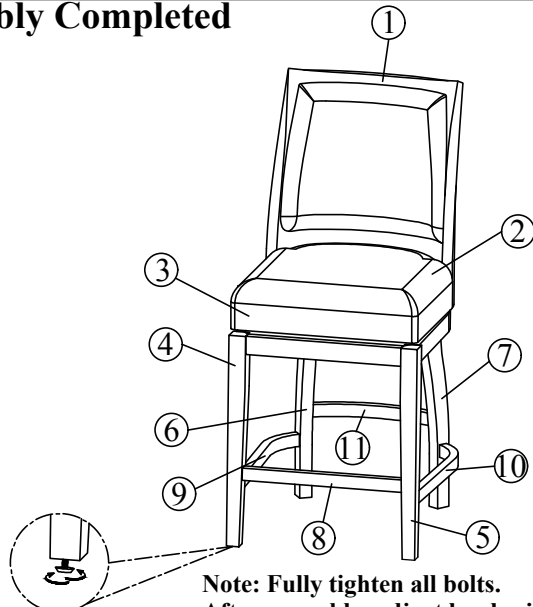
Step 4



Step 5



Assembly Completed



Note: Fully tighten all bolts. After assembly, adjust leveler if necessary.