

## **General Warnings:**

**If you experience any difficulties with this product, please reach out to our help desk at [customerservice@h2ofurnishings.com](mailto:customerservice@h2ofurnishings.com) . Please do not return to place of purchase as Home 2 Office brands will replace defective or missing part(s).**

- 1.) Not for commercial use.
- 2.) Indoor use only.
- 3.) This is not a toy. Do not allow children or pets to play on or around.
- 4.) Use only on a flat stable surface.
- 5.) No part of this unit should be used as a step stool or ladder.
- 6.) If any part of the unit is damaged, missing or loose, immediately remove it from service.
- 7.) Weight limit: 250 lbs
- 8.) Spills should be wiped up immediately.
- 9.) All 4 legs should always remain on the floor.

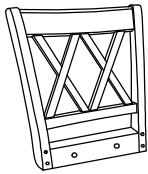
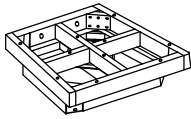
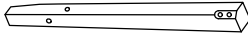
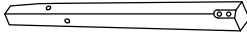



This product was inspected before packing and we recommend that you inspect all the parts before assembly. Please follow the instructions carefully and ensure all fittings are properly tightened. Following assembly instructions carefully will help to avoid accidents and ensure your product is ready to use.

# ASSEMBLY INSTRUCTIONS

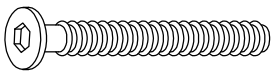
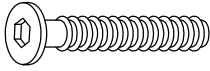
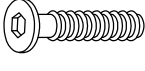

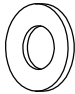
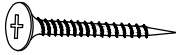
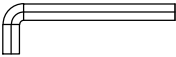

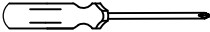
ITEM: W13-00864A, W13-00864AG, W13-00864B, W13-00864BG, W13-00864AW,  
W13-00864BW, W13-00864AB, W13-00864BB, W13-00864ALG, W13-00864AS.



## Component

<p><b>1</b></p>  <p>Chair Back x 1Pc</p>	<p><b>2</b></p>  <p>Chair Seat Frame x 1Pc</p>	<p><b>3A</b></p>  <p>Legs x 2Pcs</p>	<p><b>4A</b></p>  <p>Legs x 2Pcs</p>
<p><b>5</b></p>  <p>Long Stretcher (Left+Right) x 2Pcs</p>	<p><b>6</b></p>  <p>Short Stretcher (Front+Back) x 2Pcs</p>	<p><b>7</b></p>  <p>Seat Cushion x 1Pc</p>	

## Hardware

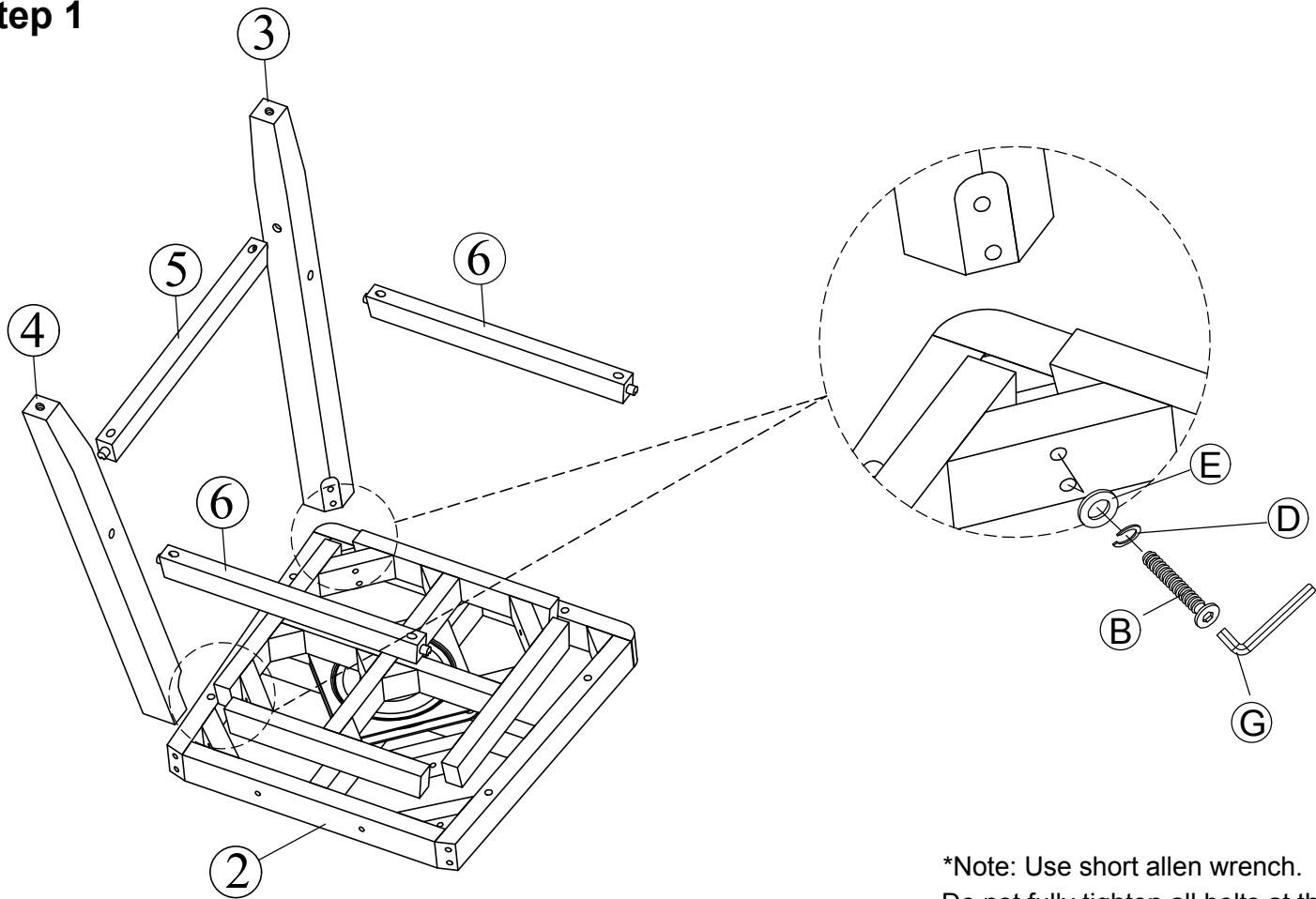
<p><b>A</b></p>  <p>Bolt Ø5/16 * 75mm x 4Pcs</p>	<p><b>B</b></p>  <p>Bolt Ø5/16 * 63mm x 8Pcs</p>	<p><b>C</b></p>  <p>Bolt Ø5/16 * 35mm x 2Pcs</p>	<p><b>D</b></p>  <p>Spring Washer Ø5/16 * 13mm x 14Pcs</p>	
<p><b>E</b></p>  <p>Flat Washer Ø5/16 * 19mm x 14Pcs</p>	<p><b>F</b></p>  <p>Screw (Thick Threaded Screw) Ø4 * 38mm x 14Pcs</p>	<p><b>G</b></p>  <p>Short Allen Key M4 x 59mm x 1Pc</p>	<p><b>H</b></p>  <p>Long Allen Key M4 x 110mm x 1Pc</p>	<p><b>K</b></p>  <p>Phillips Head Screw Driver Is required but not included</p>

# ASSEMBLY INSTRUCTIONS

ITEM: W13-00864A, W13-00864AG, W13-00864B, W13-00864BG, W13-00864AW,  
W13-00864BW, W13-00864AB, W13-00864BB, W13-00864ALG, W13-00864AS.

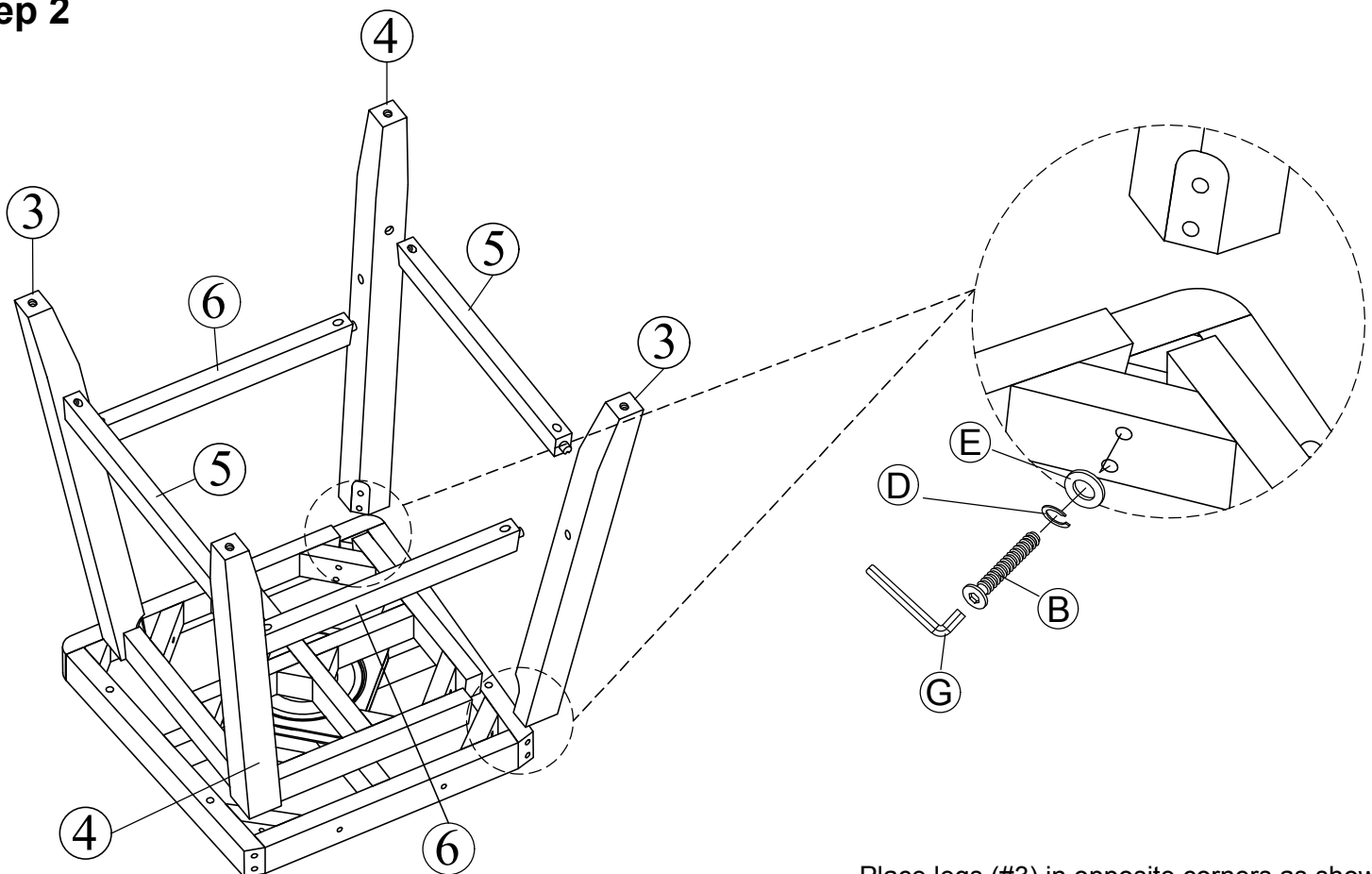
## How to assemble

### Step 1



\*Note: Use short allen wrench.  
Do not fully tighten all bolts at this time.

### Step 2



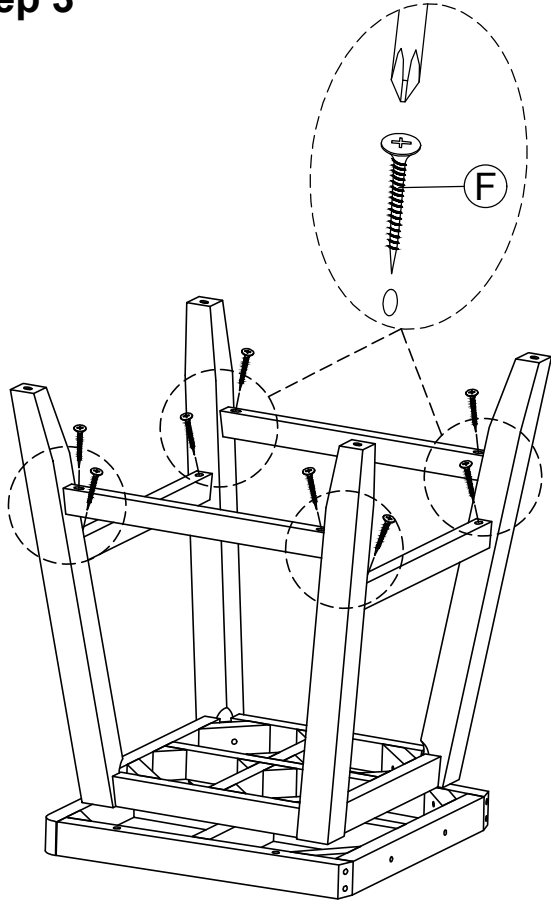
Place legs (#3) in opposite corners as shown.  
Repeat with legs (#4).

# ASSEMBLY INSTRUCTIONS

ITEM: W13-00864A, W13-00864AG, W13-00864B, W13-00864BG, W13-00864AW,  
W13-00864BW, W13-00864AB, W13-00864BB, W13-00864ALG, W13-00864AS.

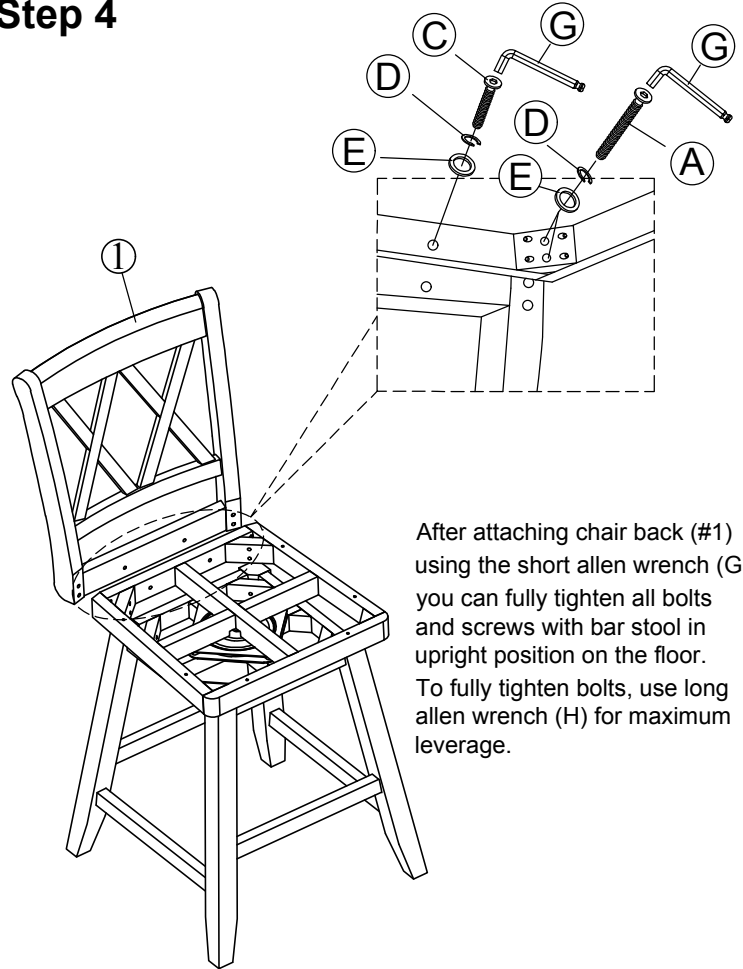


## How to assemble Step 3



Fully tighten screws (F) holding stretchers to leg.

## Step 4



After attaching chair back (#1) using the short allen wrench (G) you can fully tighten all bolts and screws with bar stool in upright position on the floor. To fully tighten bolts, use long allen wrench (H) for maximum leverage.

## Step 5

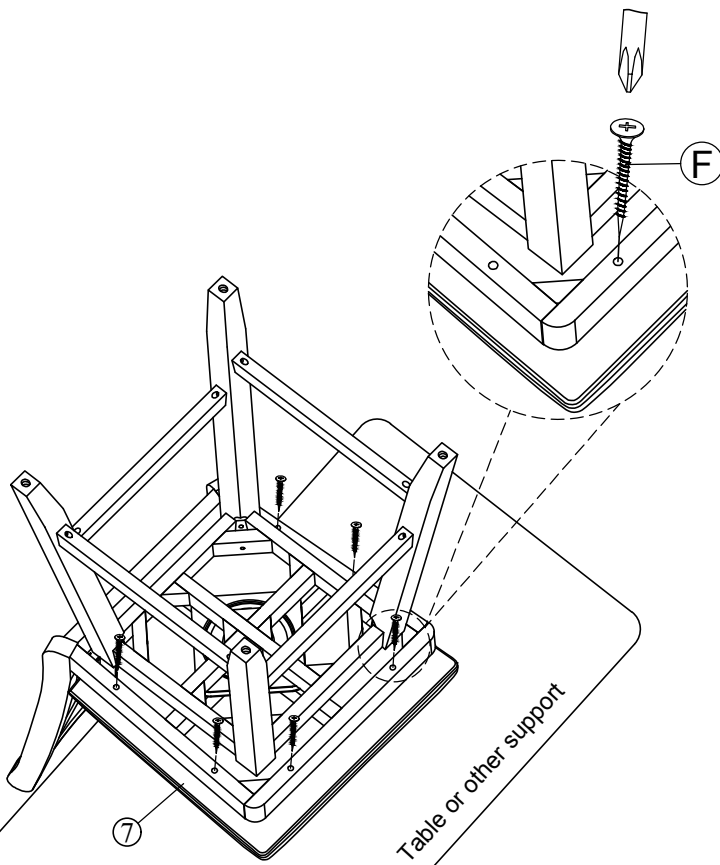
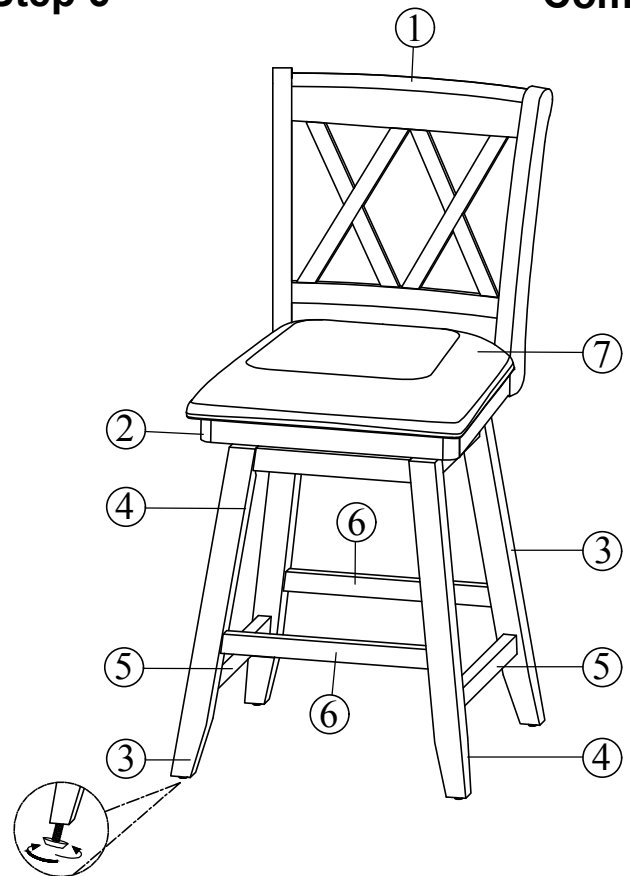


Table or other support

## Step 6



## Completed

After assembly, adjust leveler if necessary.